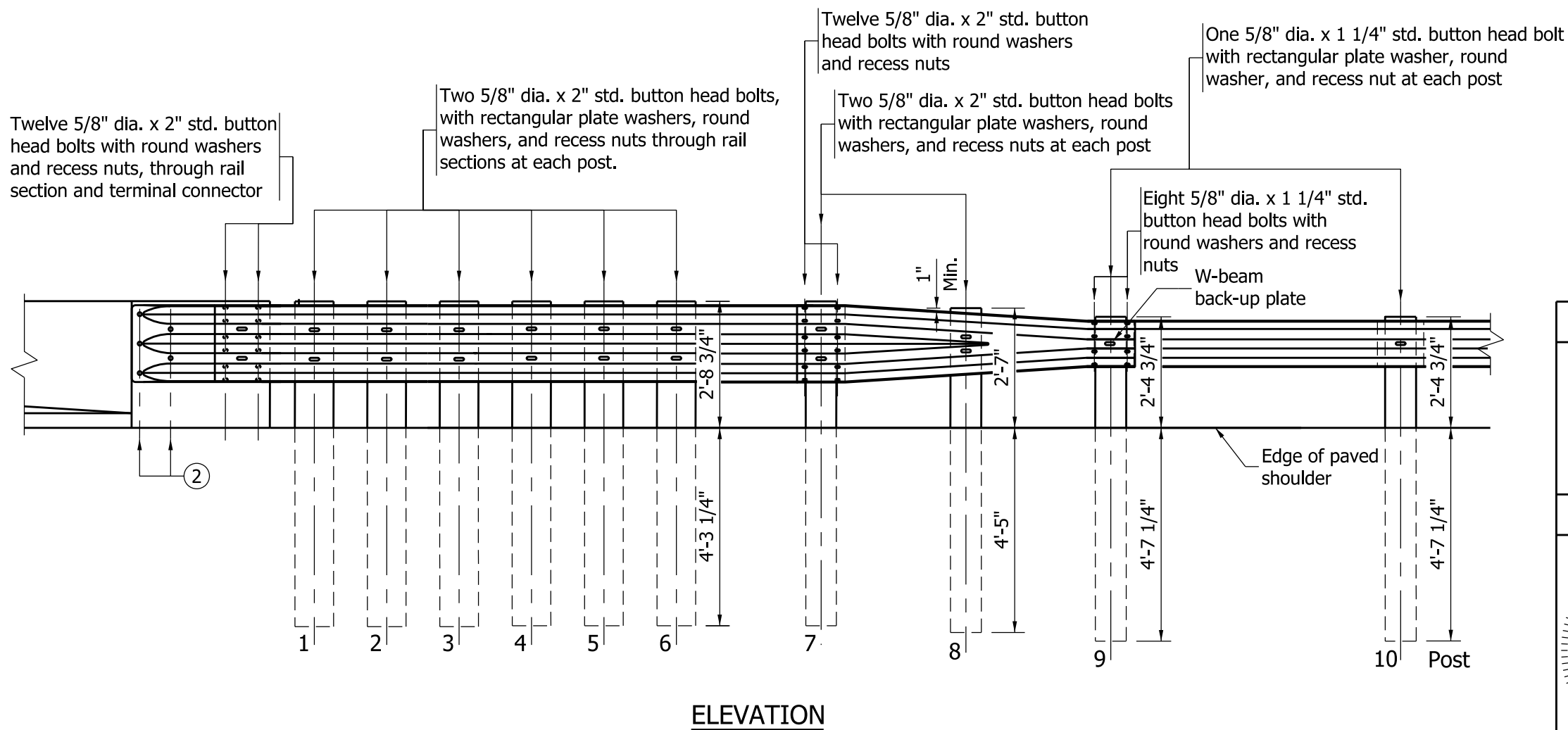
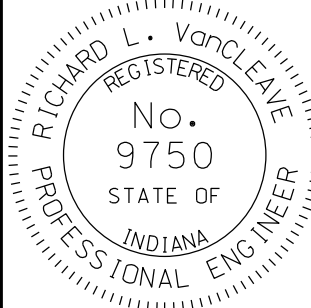
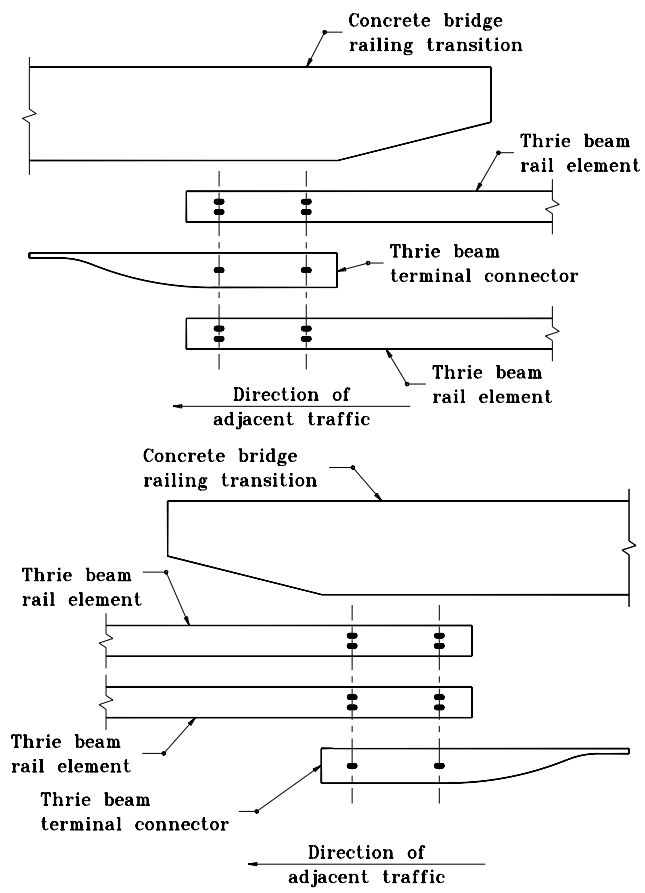


NOTES:

- ① See Standard Drawing E 601-TTGB-02 for Lap Detail.
- ② See Standard Drawing E 601-TBGC-01 for connection details.
3. See Standard Drawings E 601-TTGB-03 through -05 for post and block details.

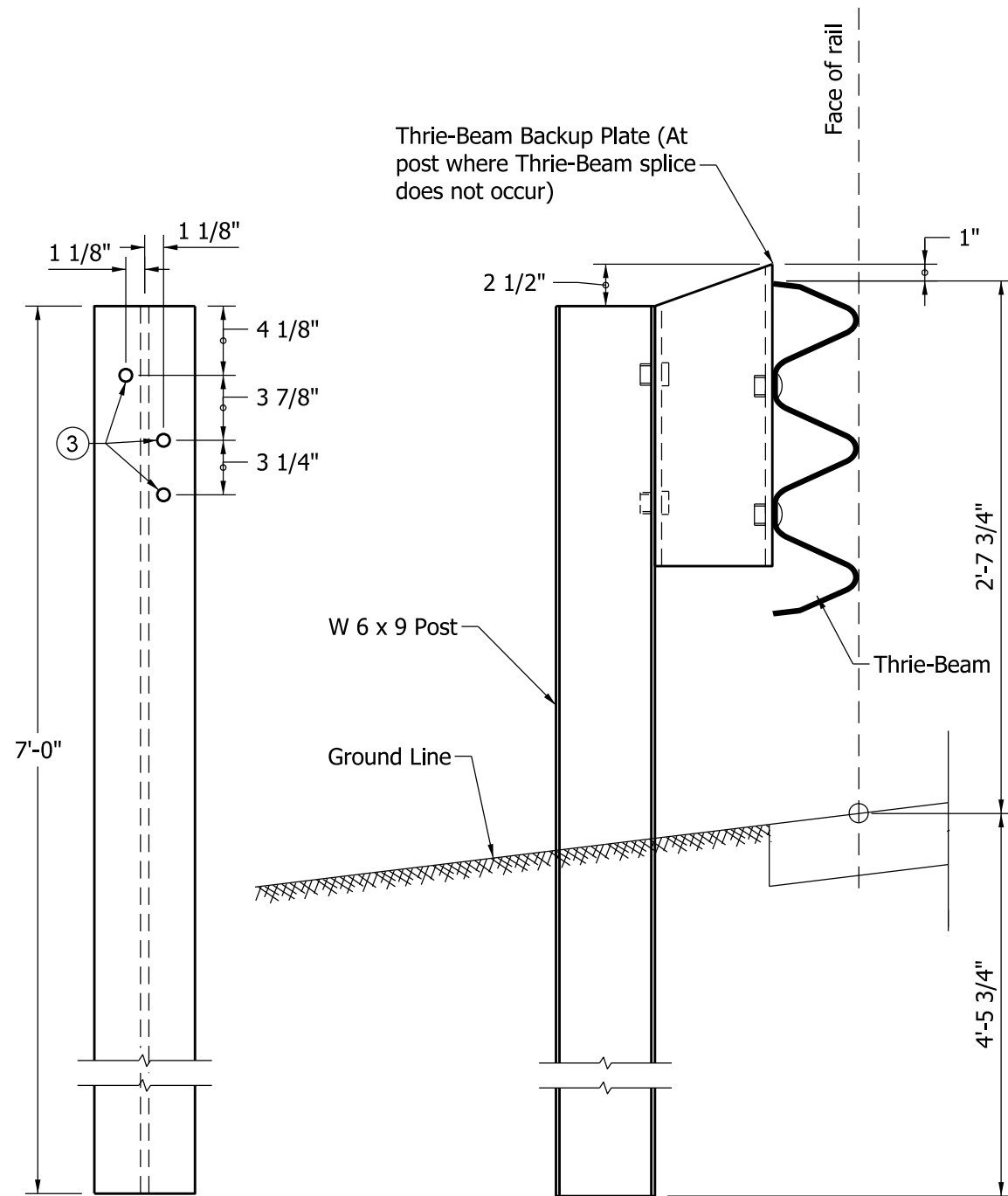


INDIANA DEPARTMENT OF TRANSPORTATION											
GUARDRAIL TRANSITION TYPE TGB											
SEPTEMBER 2011											
STANDARD DRAWING NO.	E 601-TTGB-01										
	<table style="width: 100%; border-collapse: collapse;"> <tr> <td style="padding: 2px;">/s/ <i>Richard L. VanCleave</i></td> <td style="text-align: right; padding: 2px;">09/01/11</td> </tr> <tr> <td style="padding: 2px;">DESIGN STANDARDS ENGINEER</td> <td style="text-align: right; padding: 2px;">DATE</td> </tr> <tr> <td colspan="2" style="padding: 5px 0 0 0;"> </td> </tr> <tr> <td style="padding: 2px;">/s/ <i>Mark A. Miller</i></td> <td style="text-align: right; padding: 2px;">09/01/11</td> </tr> <tr> <td style="padding: 2px;">CHIEF HIGHWAY ENGINEER</td> <td style="text-align: right; padding: 2px;">DATE</td> </tr> </table>	/s/ <i>Richard L. VanCleave</i>	09/01/11	DESIGN STANDARDS ENGINEER	DATE			/s/ <i>Mark A. Miller</i>	09/01/11	CHIEF HIGHWAY ENGINEER	DATE
/s/ <i>Richard L. VanCleave</i>	09/01/11										
DESIGN STANDARDS ENGINEER	DATE										
/s/ <i>Mark A. Miller</i>	09/01/11										
CHIEF HIGHWAY ENGINEER	DATE										
DESIGN STANDARDS ENGINEER											



LAP DETAIL AT BRIDGE RAILING TRANSITION

INDIANA DEPARTMENT OF TRANSPORTATION	
GUARDRAIL TRANSITION	
TYPE TGB	
MAY 2000	
STANDARD DRAWING NO. E 601-TTGB-02	
	/s/ Anthony L. Uremovich 5-01-00 DESIGN STANDARDS ENGINEER DATE
	/s/ Firooz Zandi 5-01-00 CHIEF HIGHWAY ENGINEER DATE
DESIGN STANDARDS ENGINEER	



FRONT VIEW

SIDE VIEW

W 6 x 9 POST DETAILS

Thrie-Beam Backup Plate (At post where Thrie-Beam splice does not occur)

Face of rail

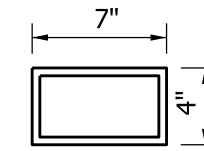
W 6 x 9 Post

Thrie-Beam

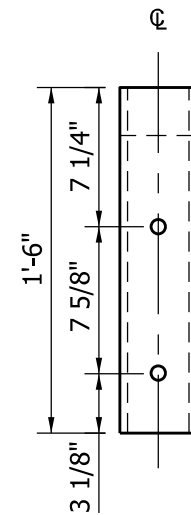
Ground Line

NOTES:

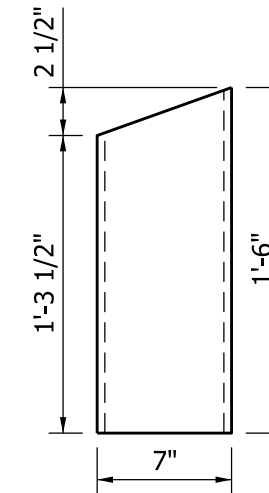
1. All holes drilled or punched to 3/4" dia.
2. See Standard Drawing E 601-TTGB-01 for post numbers.
- ③ Hole pattern for posts numbers 8 through 10 may be drilled in back flange. See Standard drawing E 601-TTGB-04 or E 601-TTGB-05.



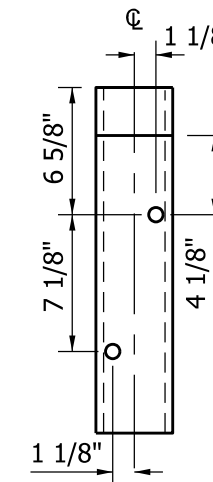
TOP VIEW



FRONT VIEW



SIDE VIEW



BACK VIEW

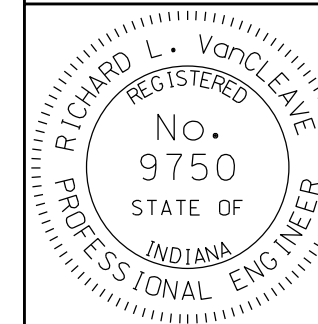
TS 7 x 4 x 3/16" BLOCK DETAILS
POSTS 1 THROUGH 7

INDIANA DEPARTMENT OF TRANSPORTATION

GUARDRAIL TRANSITION
TYPE TGB

SEPTEMBER 2011

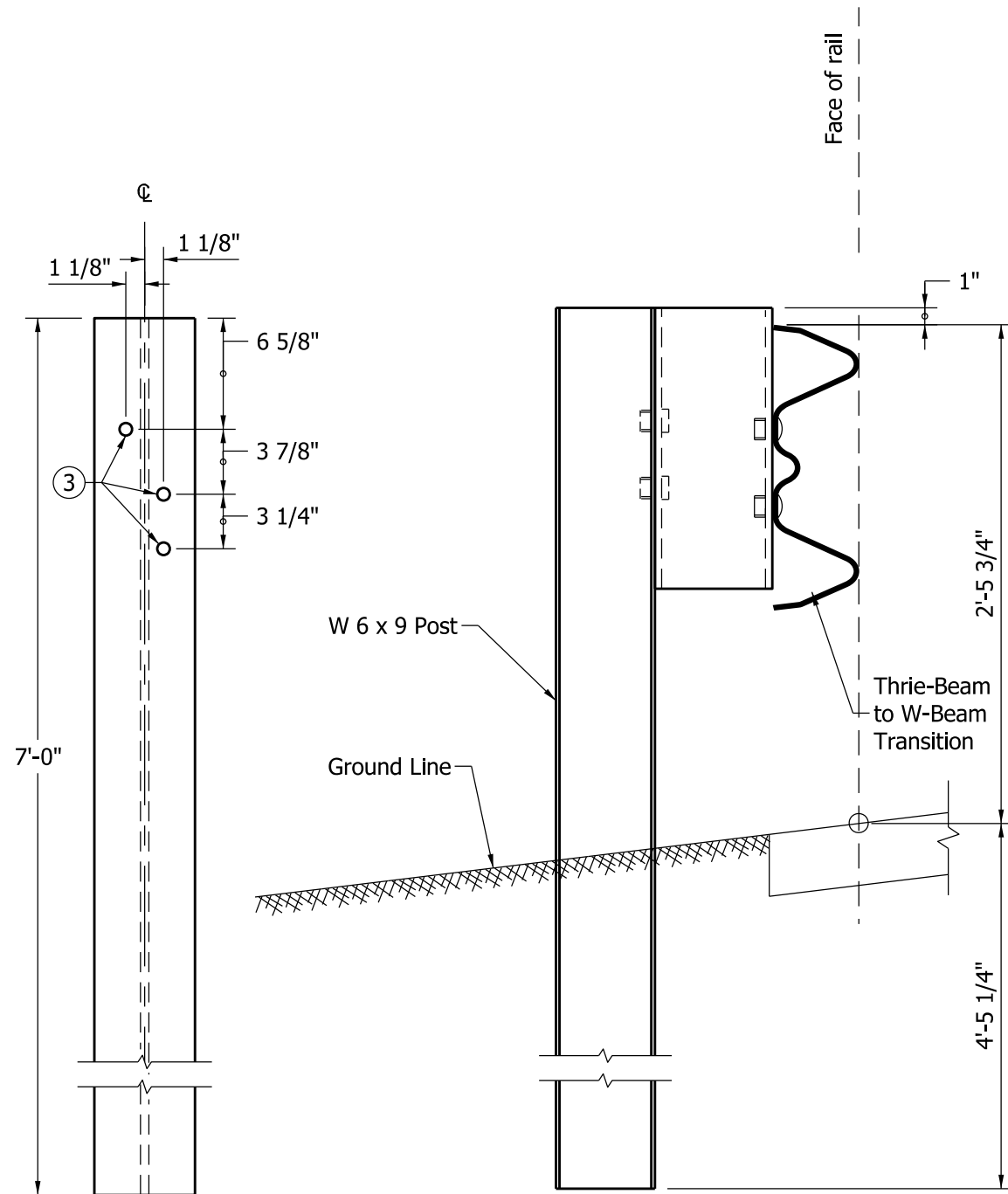
STANDARD DRAWING NO. E 601-TTGB-03



DESIGN STANDARDS ENGINEER

/s/ *Richard L. VanCleave* 09/01/11
DESIGN STANDARDS ENGINEER DATE

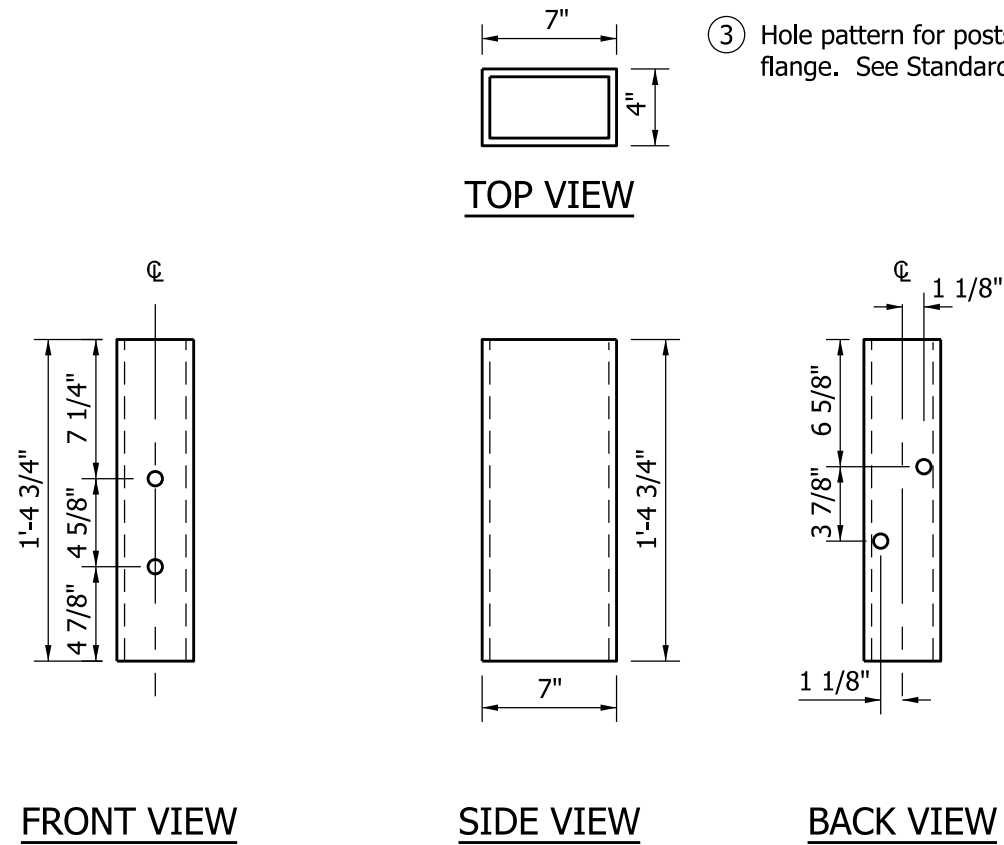
/s/ *Mark A. Miller* 09/01/11
CHIEF HIGHWAY ENGINEER DATE



FRONT VIEW

SIDE VIEW

W 6 x 9 POST DETAILS



FRONT VIEW

SIDE VIEW

BACK VIEW

TOP VIEW

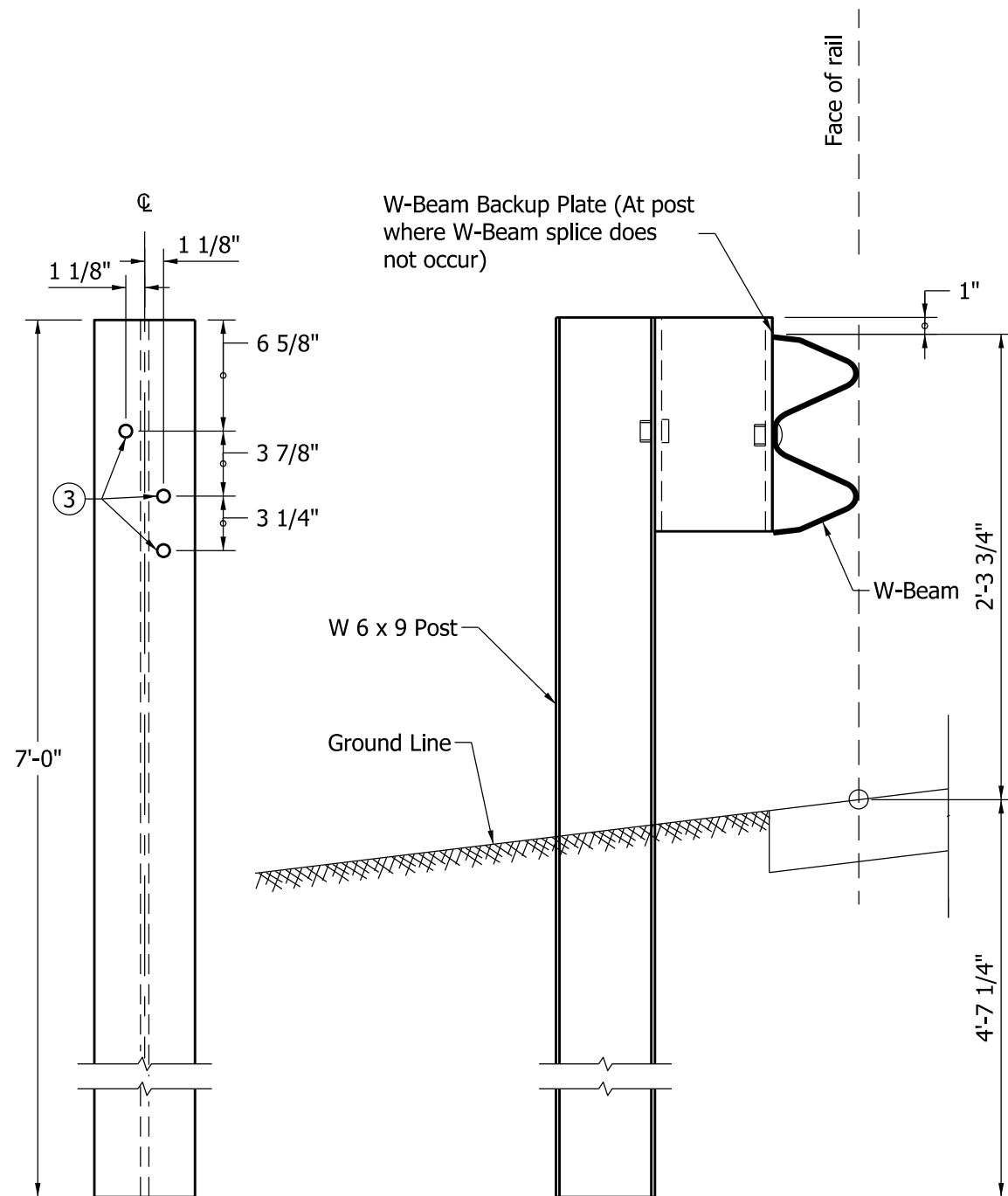
TS 7 x 4 x 3/16" BLOCK DETAILS

POST 8

NOTES:

1. All holes drilled or punched to 3/4" dia.
2. See Standard Drawing E 601-TTGB-01 for post numbers.
- ③ Hole pattern for posts numbers 1 through 7 may be drilled in back flange. See Standard drawing E 601-TTGB-03.

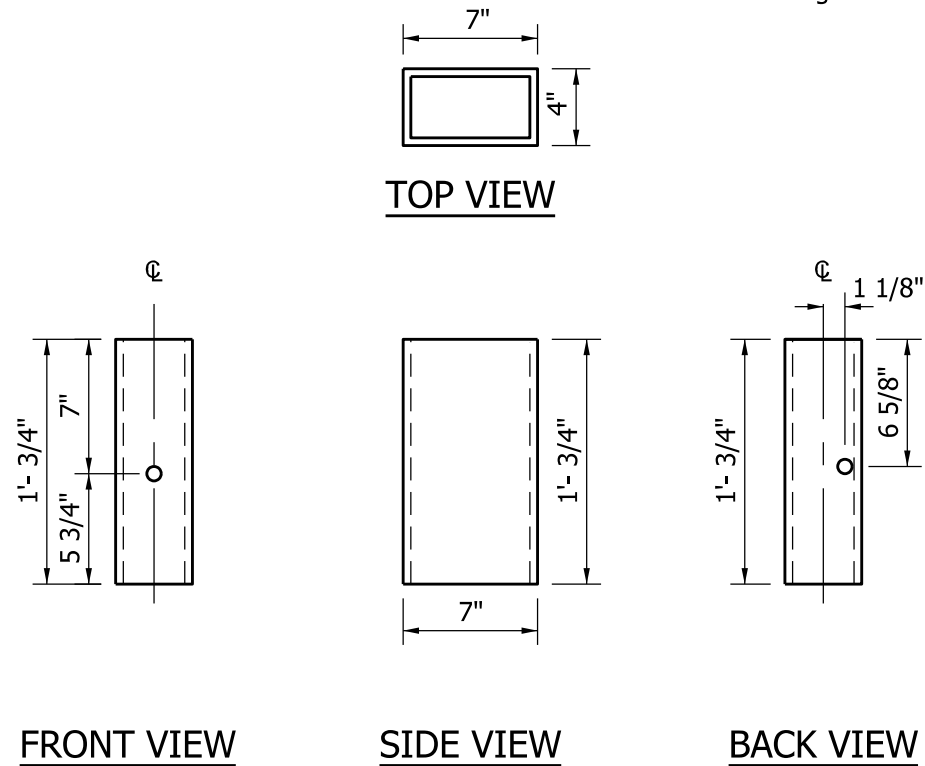
INDIANA DEPARTMENT OF TRANSPORTATION	
GUARDRAIL TRANSITION TYPE TGB	
SEPTEMBER 2011	
STANDARD DRAWING NO.	E 601-TTGB-04
	<i>/s/ Richard L. VanCleave</i> 09/01/11 DESIGN STANDARDS ENGINEER DATE
	<i>/s/ Mark A. Miller</i> 09/01/11 CHIEF HIGHWAY ENGINEER DATE
DESIGN STANDARDS ENGINEER	



FRONT VIEW

SIDE VIEW

W 6 x 9 POST DETAILS



FRONT VIEW

SIDE VIEW

BACK VIEW

TS 7 x 4 x 3/16" BLOCK DETAILS
POSTS 9 and 10

NOTES:

1. All holes drilled or punched to 3/4" dia.
2. See Standard Drawing E 601-TTGB-01 for post numbers.
- ③ Hole pattern for posts numbers 1 through 7 may be drilled in back flange. See Standard drawing E 601-TTGB-03.

INDIANA DEPARTMENT OF TRANSPORTATION									
GUARDRAIL TRANSITION TYPE TGB									
SEPTEMBER 2011									
STANDARD DRAWING NO. E 601-TTGB-05									
	<table style="width: 100%; border-collapse: collapse;"> <tr> <td style="width: 60%; border-bottom: 1px solid black;">/s/ <i>Richard L. VanCleave</i></td> <td style="width: 40%; border-bottom: 1px solid black;">09/01/11</td> </tr> <tr> <td>DESIGN STANDARDS ENGINEER</td> <td>DATE</td> </tr> <tr> <td style="border-bottom: 1px solid black;">/s/ <i>Mark A. Miller</i></td> <td style="border-bottom: 1px solid black;">09/01/11</td> </tr> <tr> <td>CHIEF HIGHWAY ENGINEER</td> <td>DATE</td> </tr> </table>	/s/ <i>Richard L. VanCleave</i>	09/01/11	DESIGN STANDARDS ENGINEER	DATE	/s/ <i>Mark A. Miller</i>	09/01/11	CHIEF HIGHWAY ENGINEER	DATE
/s/ <i>Richard L. VanCleave</i>	09/01/11								
DESIGN STANDARDS ENGINEER	DATE								
/s/ <i>Mark A. Miller</i>	09/01/11								
CHIEF HIGHWAY ENGINEER	DATE								
DESIGN STANDARDS ENGINEER									